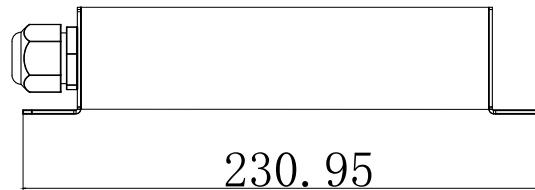
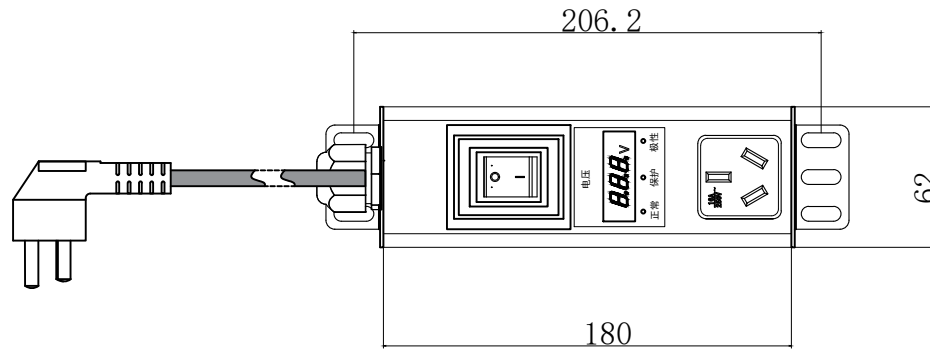


First perspective

product drawing



All dimensions are in mm
unless stated otherwise